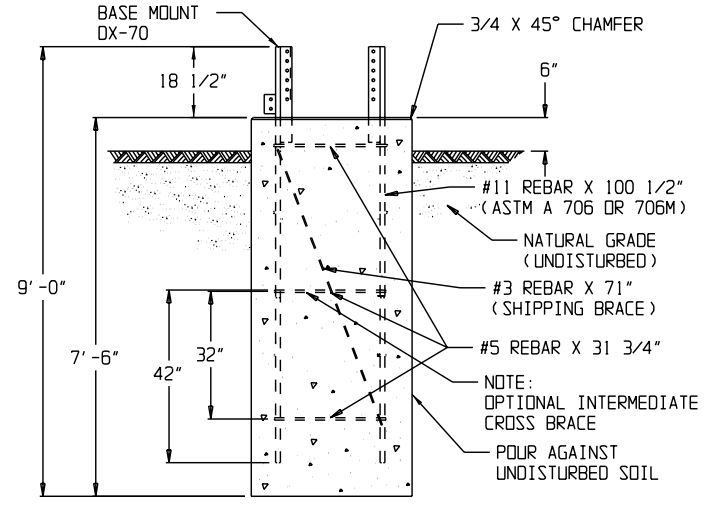


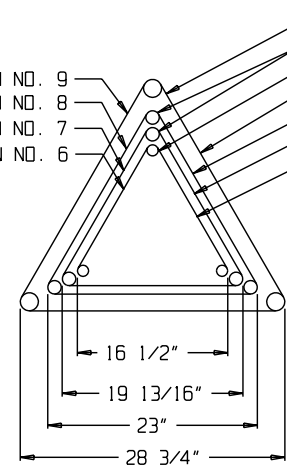
PLAN VIEW



ELEVATION

(REQUIRED CONCRETE= 3.4 CU. YDS)

- SECTION NO. 9 \varnothing 2 STEEL TUBE
- SECTION NO. 8 \varnothing 1 1/2 STEEL TUBE
- SECTION NO. 7 \varnothing 1 1/4 STEEL TUBE
- SECTION NO. 6 \varnothing 5/8 SOLID ROD
- \varnothing 1/2 SOLID ROD
- \varnothing 7/16 SOLID ROD
- \varnothing 3/8 SOLID ROD



TOWER CROSS SECTION

TOWER DESIGN LOADING

WIND LOAD: 85 MPH W/ 3 SECOND GUST PER ANSI/TIA- 222 REV G

Tri-Ex TOWER CORPORATION
 2183 S. Highland Ave., Sanger, Calif. 93657

TITLE
 DX-70 CRANK UP TOWER