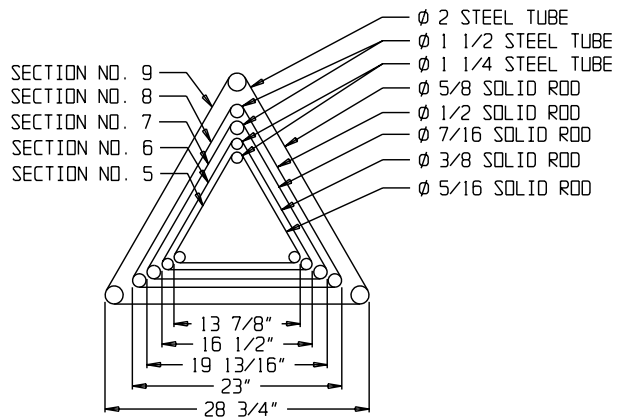


ELEVATION  
(REQUIRED CONCRETE= 5.3 CU. YDS)



TOWER CROSS SECTION

TOWER DESIGN LOADING  
WIND LOAD: 85 MPH W/ 3 SECOND GUST PER ANSI/TIA- 222 REV G

**Tri-Ex** TOWER CORPORATION  
2183 S. Highland Ave., Songer, Calif. 93657

TITLE

DX-86 CRANK UP TOWER