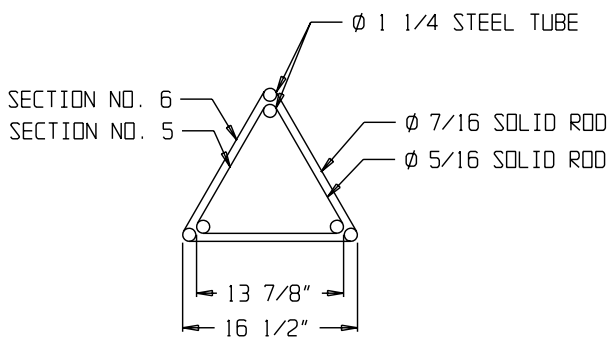



ELEVATION  
 (REQUIRED CONCRETE= 2.0 CU. YDS)



TOWER CROSS SECTION

**TOWER DESIGN LOADING**  
 WIND LOAD: 85 MPH W/ 3 SECOND GUST PER ANSI/TIA- 222 REV G


**Iri-Ex TOWER CORPORATION**  
 2183 S. Highland Ave., Sanger, Calif. 93657  
 TITLE  
 LM-237 CRANK UP TOWER