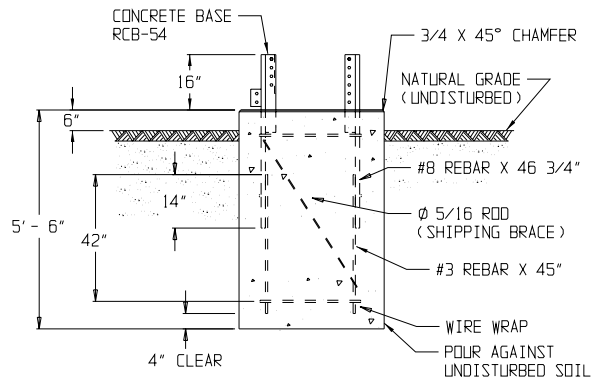
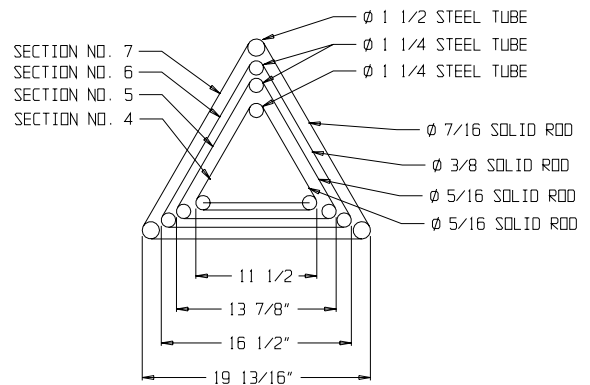


PLAN VIEW



ELEVATION

(REQUIRED CONCRETE= 1.84 CU. YDS)



TOWER CROSS SECTION

TOWER DESIGN LOADING

WIND LOAD: 85 MPH W/ 3 SECOND GUST PER ANSI/TIA- 222 REV G



ASHJIAN TOWER CORPORATION
 2183 S. Highland Ave., Sanger, Calif. 93657

TITLE

MW33 CRANK UP TOWER