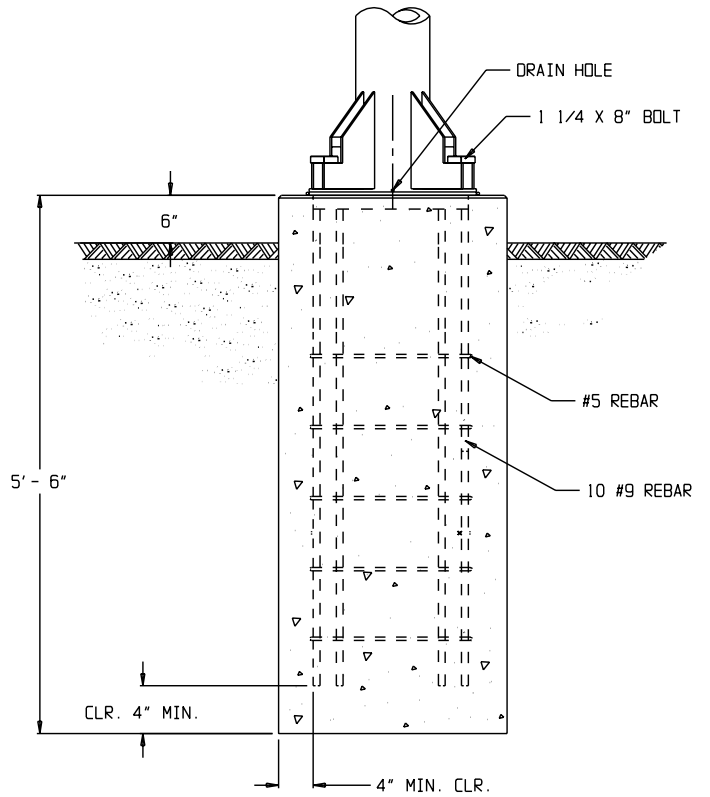
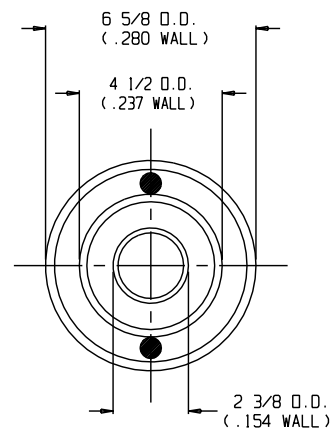


TOWER TOP VIEW



ELEVATION FOOTING



CROSS SECTION

TOWER DESIGN LOADING  
 WIND LOAD: 85 MPH W/ 3 SECOND GUST PER ANSI/TIA- 222 REV G

 **ASHJIAN TOWERS CORPORATION**  
 2183 S. Highland Ave., Sanger, Calif. 93657  
 TITLE: **TM-358 CRANK UP TOWER**