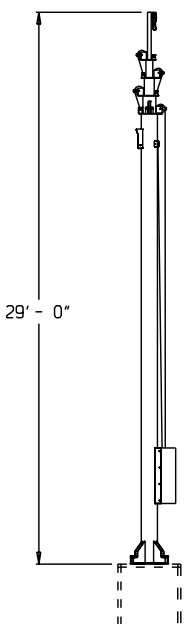
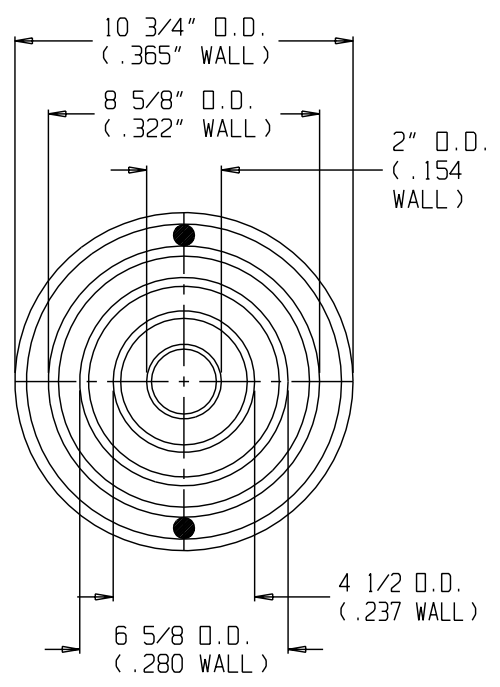


TOWER TOP VIEW



TOWER DESIGN LOADING
WIND LOAD: 85 MPH W/ 3 SECOND GUST PER ANSI/TIA- 222 REV G



CROSS SECTION

Tri-Ex TOWER CORPORATION
2183 S. Highland Ave., Sanger, Calif. 93657
TITLE
TM-5100 CRANK UP TOWER