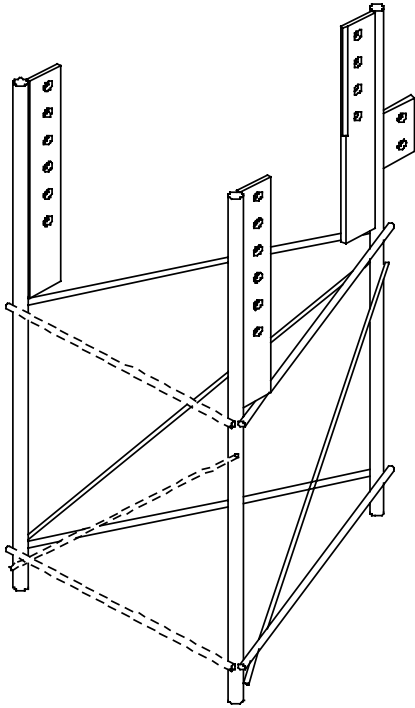


# Accessories

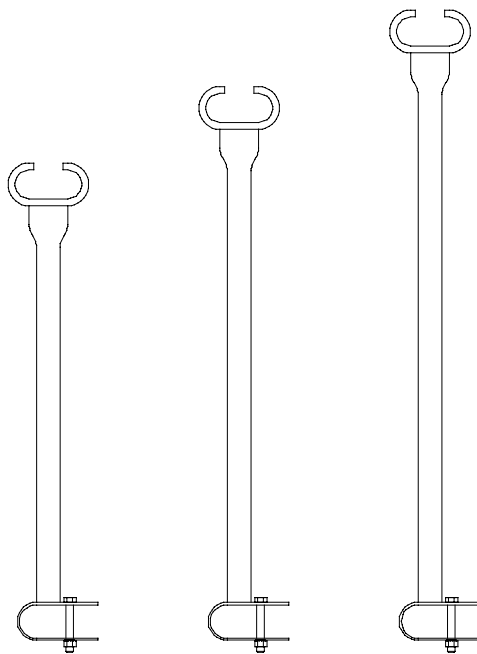
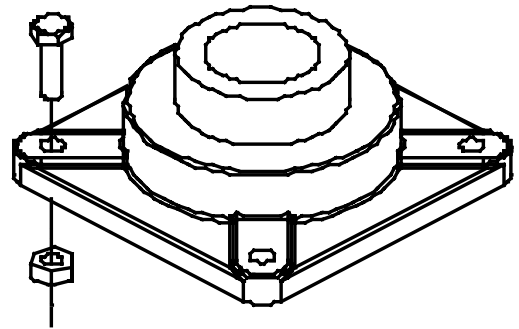


## RIDGED CONCRETE BASE MOUNT

(included with tower)

The Rigid Concrete Base allows the LM Tower to be fully self-supporting. If a Tilt-Over feature is desired, just bolt on the Tilt-Over Accessory. No new footing to pour. No new base to bury. One Concrete Base does both jobs

## FLANGE THRUST BEARING FOR ANTENNA MAST - TB-2 BEARING



## COAX STANDOFF KIT - CO-3